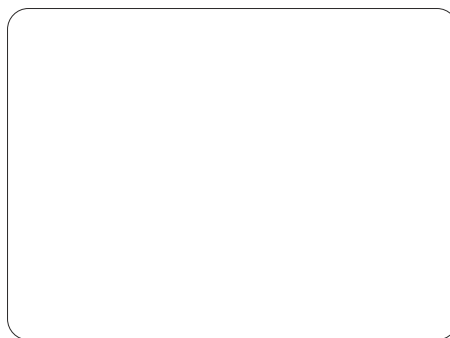


- Created according to the newest and most innovative technologies
- Conform to the highest European security norms regarding rotor pulling – 1500 kg
- Tested for fire resistance: +400 °C
- Patented construction of the key
- More than 20 000 000 key differs
- Patented construction of the cam for a higher breaking resistance
- Plastic code card for highest security against illegal key duplicates and total control over the key copies
- High performance materials (new silver keys and pins) for a long exploitation
- Suitable for Single Differs, Key Alike and Master Key Systems

NW4

Your dealer / expert



www.mauer.bg

MAUER

ASSA ABLOY

New Wave Series



NW4

The New Name Of Security!

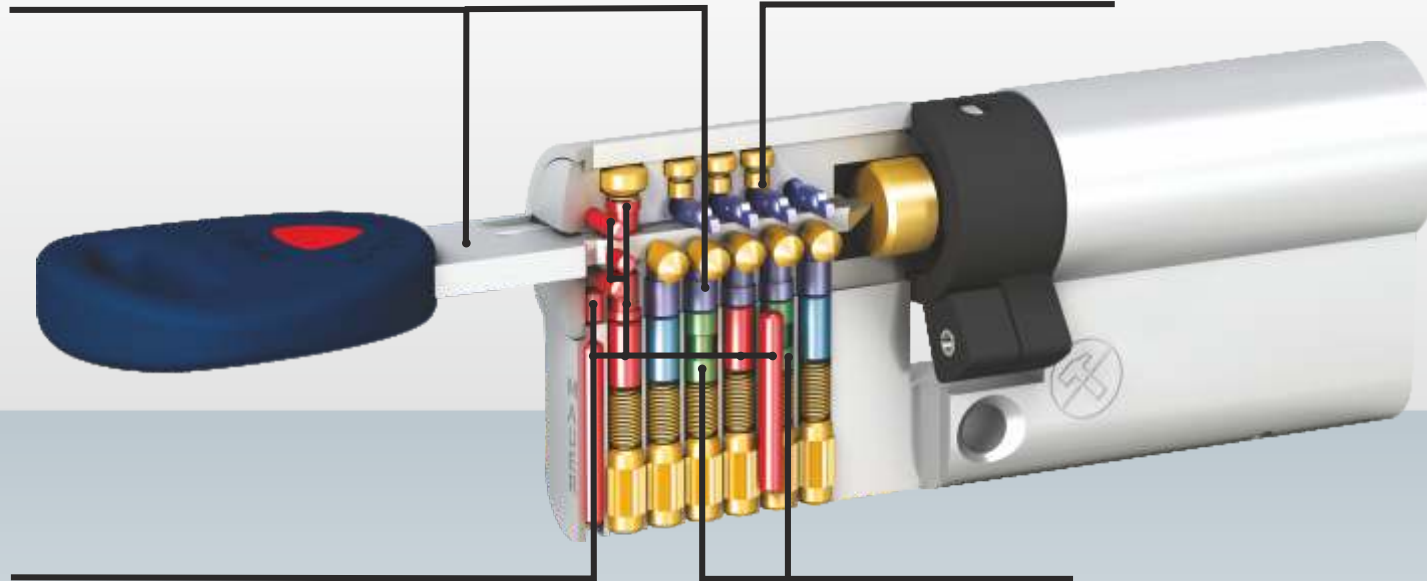
HIGH SECURITY PROFILE CYLINDER



NW4

PINS AND KEY OF NEWSILVER,
for best performance and long-term exploitation.

ANTI-BUMPING PROTECTION, 
consisting of levers with a special design combined with active pins.



COMPLEX ANTI DRILLING PROTECTION,
consisting of hardened steel pins in the body and the rotor of the cylinder.

ANTI-PICKING PROTECTION,
consisting of pins with a special construction.



300% HIGHER BREAKING RESISTANCE,
guaranteed by a specially designed, patented cam of the cylinder.



PATENTED SYSTEM NW4,
consisting of 4 types of encoding elements:
- Rollers in the key;
- Main active row of pins;
- Side row of pins;
- Wave channel in the key, combined with special levers.



PATENTED DESIGN OF THE KEY AGAINST ILLEGAL DUPLICATE ATTEMPTS
through active, freely moving rollers implemented in the key.



PLASTIC CODE CARD FOR PERFECT SECURITY
Duplicates of the key can be made only in authorized by "Mauer Locking Systems" service centers.



ERGONOMIC KEYBOW
of the key, elegantly designed.